

ALN024006.050

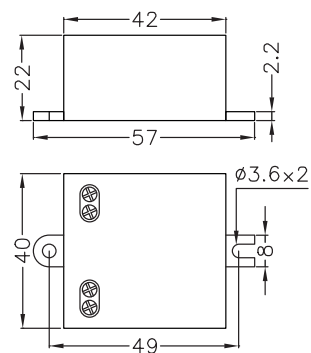
Alimentatore LED
LED power supply



Input (Vac)	200~240V (50/60Hz)
(Vdc)	24V
Output (CC)	250mA
(W)	6W
t_c	+75°C
t_a	+50°C
Dimensioni / Dimensions	57 x 40 x 22 mm

Tolleranze / Tolerances

Valori elettrici / Electrical values (@25°): ±5%



Fissaggio cavi / Cable fixing

Morsetti a vite / Screw fixing

Approvazioni / Approvals

