

# ALN024008.240

Alimentatore LED  
LED power supply

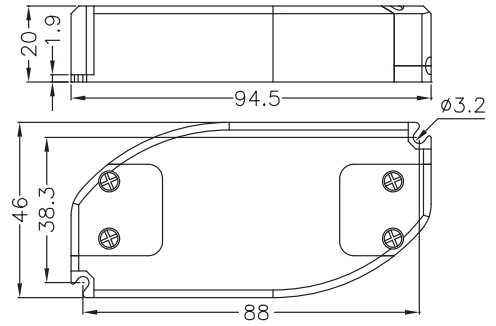


Input (Vac)	200~240V (50/60Hz)
(Vdc)	24V
Output (CC)	330mA
(W)	8W
t <sub>c</sub>	+75°C
t <sub>a</sub>	+45°C
Dimensioni / Dimensions	94.5 x 46 x 20 mm

## Tolleranze / Tolerances

Valori elettrici / Electrical values (@25°): ±5%

Dimensionali / Dimensional: ±0.3/0.5mm



## Fissaggio cavi / Cable fixing

Morsetti a vite / Screw fixing

## Approvazioni / Approvals

