

ALN024040.246

Alimentatore LED
LED power supply

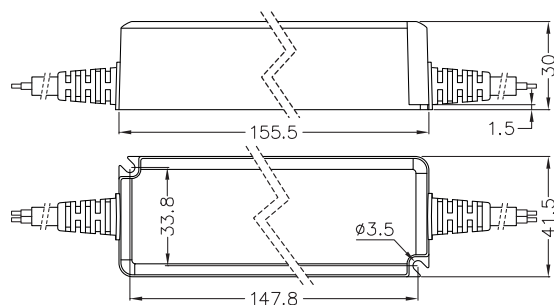


Input (Vac)	100~277V (60Hz)
(Vdc)	24V
Output (CC)	1.67A
(W)	40W
t_c	+80°C
t_a	+50°C
Dimensioni / Dimensions	155.5 x 41.5 x 30 mm

Tolleranze / Tolerances

Valori elettrici / Electrical values (@25°): ±5%

Dimensionali / Dimensional: ±0.3/0.5mm



Fissaggio cavi / Cable fixing

Cavi IN/OUT da cm 30
IN/OUT cables (cm 30)

Approvazioni / Approvals

