

ALN024075.244



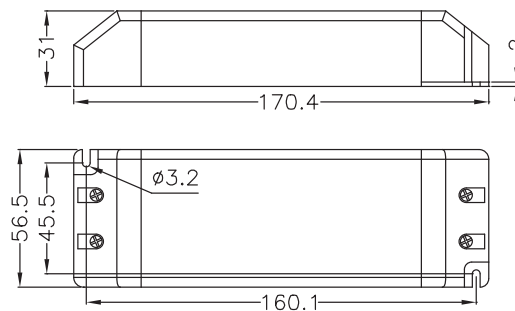
PHASE CUT



220

CV
out

Class II



Input Vac	Vdc	Output CC	W
200~240V (50/60Hz)	24V	1~3.125A	24~75W

Fissaggio cavi / Cable fixing

Morsetti a vite / Screw fixing

Approvazioni / Approvals



Dimmable	TRIAC/IGBT
Dimming range	10~100%
Power Factor (PF)	≥0.9
t_c	+85°C
t_a	+45°C
Dimensions	170.4 x 56.5 x 31 mm