

ALN024150.240

Alimentatore LED
LED power supply

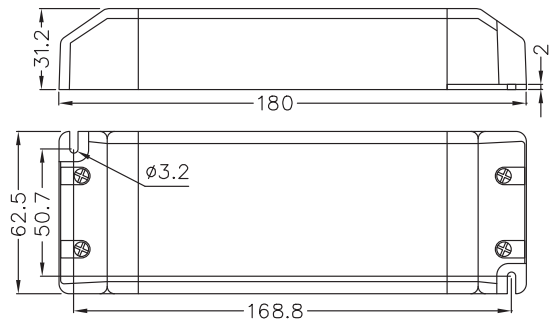


Input (Vac)	220~240V (50/60Hz)
(Vdc)	24V
Output (CC)	6.25A
(W)	150W
t_c	+90°C
t_a	+45°C
Dimensioni / Dimensions	180 x 62.5 x 31.2 mm

Tolleranze / Tolerances

Valori elettrici / Electrical values (@25°): ±5%

Dimensionali / Dimensional: ±0.3/0.5mm



Fissaggio cavi / Cable fixing

Morsetti a vite / Screw fixing

Approvazioni / Approvals

