

ALS024036.371

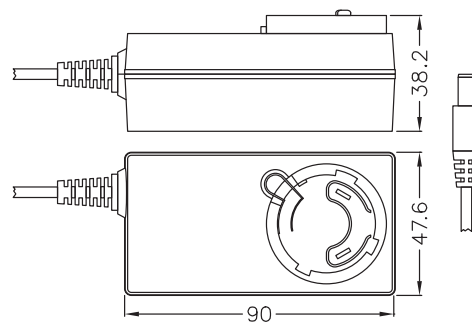
Alimentatore LED a spina integrata
Wall mount LED power supply



Input (Vac)	100~240V (50/60Hz)
(Vdc)	24V
Output (CC)	1.5A
(W)	36W
t _c	+80°C
t _a	+45°C
Dimensioni / Dimensions	90 x 47.6 x 38.2 mm
Colore / Colour	Nero / Black

Tolleranze / Tolerances

Valori elettrici / Electrical values (@25°): ±5%



Cavi / Cables

Output cm 150

Con connettore DC plug / With DC plug connector

Completo di spine intercambiabili USA-JP / UK / EU / AU
Supplied with plugs for: USA-JP / UK / EU / AU

Approvazioni / Approvals

