

LED driver in corrente costante - Constant current LED drivers

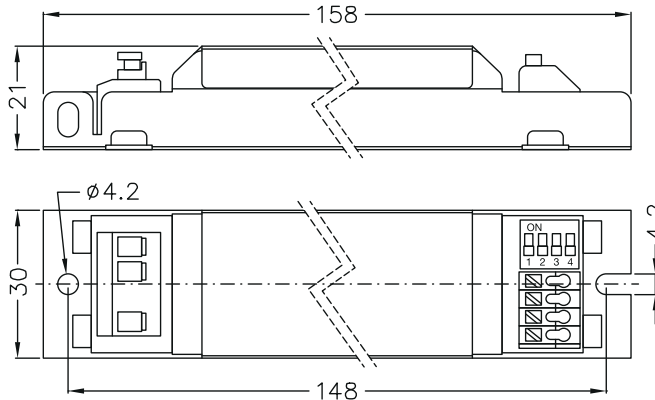
BK-BAN022-A0400AS



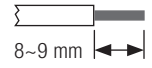
Dati tecnici / Technical data

Input voltage VAC/DC	Output power Max W	Output voltage VDC	Output current A	Dimension mm (LxWxH)
200-240	22.8	39-57/63/72	0.2-0.4	158x30x21

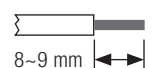
Disegno tecnico / Technical drawing



Cavo di ingresso - Input wire
0.75~1.5mm²



Cavo di uscita - Output wire
0.5~1.0mm²



Etichetta / Label

INPUT

- ACL/DC+ Non-isolated Constant Current LED Driver
- ACN/DC- MODEL: BK-BAN022-A0400AS
- NC INPUT: 200-240V ≈ 0.5/50/60Hz 0.135A Max. λ: 0.95
- ⊕ OUTPUT: 39-57V ≈ 400mA 22.8W Max.

Other ratings see below sheet
BOKE Drivers Co.,Ltd.
www.bokedriver.com
MADE IN CHINA

wire prep.
0.75-1.5mm²
8-9mm

BOKE

Switching selection sheet

Input P _{in} (W)	Output P _o (W)	I _o (mA)	U _o (Vdc)	Switch			
				1	2	3	4
16.18	14.40	200	39-72	—	—	—	ON
20.22	18.00	250	39-72	—	—	ON	—
24.27	21.60	300	39-72	—	ON	—	—
24.78	22.05	350	39-63	ON	—	—	—
25.62	22.80	400	39-57	—	—	—	—

Before use, always check dipswitch settings!

tc:90°C
ta:60°C

OUTPUT
150VDC Max.

- LED+ ○
- LED- ○
- LED+ ○
- LED- ○

wire prep.
0.5-1.0mm²
8-9mm



Technical data

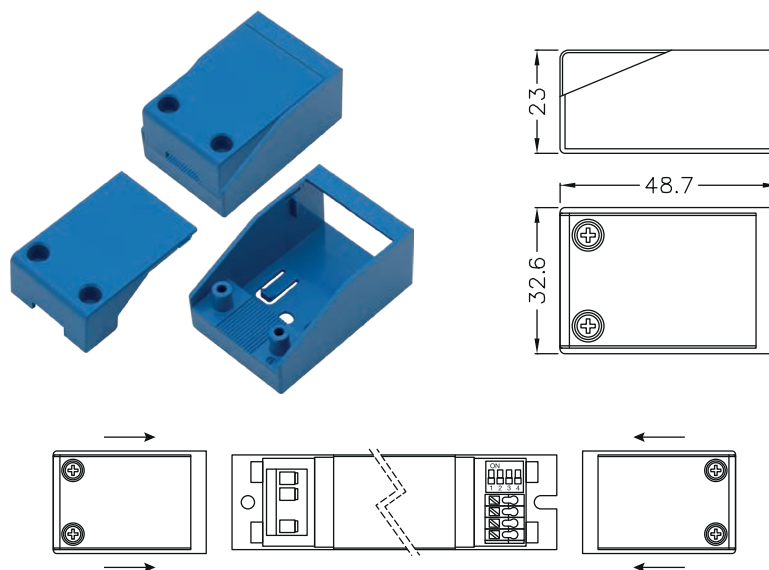
Product model	BK-BAN022-A0400AS
Output parameters	
Regulation method	Constant Current
Rated output current range	0.2-0.4A
Rated output voltage range	39-57/63/72VDC
Rated output power	22.8W Max
Output current adjustment	DIP S.W(5 levels)
Output current ripple LF	±2%
Output current accuracy	±5%
Linear regulation	±3%
Load regulation	±3%
No load output voltage	150VDC
Flicker-free(typical)	Flickering percent(IEE 1789)=0.510%, Flicker index(IEE 1789)=0.001, Pst LM = 0.005, SVM = 0.002, (The above parameters are obtained from testing the panel lights)
Input parameters	
Rated input voltage range	200-240VAC 200-240VDC
Input voltage range	180-264VAC 180-264VDC
Input voltage shock	<380 V AC
Input current	<0.135A (Rated input voltage)
Input frequency	0/50/60Hz
Input PF/Input DF	PF>0.95 (230V AC & Full load),DF>0.97 (230V AC & Full load)
Input THD	10% (230V AC & Full load)
Efficiency(typical)	87.5% (230V AC & Full load)
In-rush current	9.65A peak ,184us duration(50 % Ipeak), see the description below for details
Start/Switchover/Turn off	<0.5s(AC start),<0.5s(DC start),<0.3s(AC/DC switchover),<0.5s(Turn off)
Switching cycles	> 50,000 switching cycles
Power consumption	Full load(Pin):25.62W, No load(Pno): N/A, On stand-by(Psb) : N/A, Network stand-by(Pnet) : N/A
Safety	
Withstand voltage	I/P-FG:1750VAC
Mains surge capability	L-N:2.5KV,L-FG/N-FG:2.5KV(Performance criterion:A)
Isolation resistance	I/P-FG:100MΩ/500Vdc/25°/70% RH
Control interface	
DALI dimming port	N/A
pushDIM dimming port	N/A
1-10V 3in1 dimming port	N/A
Auxiliary power supply	N/A
Dimming range	N/A
Dimming drive mode	N/A
Emergency support	
Central emergency system	Supported(100% output in DC input)
Self-contained emergency	Supported
Environment & Life time	
Operating temperature	Ta=-20-60°
Case temperature	Tc=90°
Operating humidity	5-85% RH, not condensed
Storage temp./humidity	-40-80° , 5-85% RH, not condensed
IP grade	IP20
MTBF	500,000H,MIL-HDBK-217F(25°)
Life-time	Nominal life-time up to 100,000 h, see the description below for details
Vibration resistant	10~500Hz,5G 12min./1cycle,period for 72min. each along X,Y,Z axes
Acoustic Noise	<25dB(30cm, Normal operation)
Environmental protection	RoHS
Certifications and standards	
Certified	CE, ENEC, UKCA, RCM, EL
Safety	EN61347-1, EN61347-2-13, EN62384
EMC	EN55015, EN61000-3-2 , EN61000-3-3, EN61000-4-2,3,4,5,6,8,11, EN61547
DALI-2	N/A
EL	Compatible IEC 61347-2- 13 Annex J , compatible with EN 60598-2-22 and EN 50172
RF	N/A

Nota / Note

Per impostazione predefinita, tutti i parametri sono misurati a 230VAC ingresso, pieno carico e 25° della temperatura ambiente.

By default, all parameter are measured at 230VAC input, full load and 25° of ambient temperature.

Accessori / Accessories



Modelli serie BAN / BAN series models

Model	Input voltage VAC/DC	Output power Max W	Output voltage VDC	Output current A	Dimension mm (LxWxH)	Certifications
BK-BAN022-A0400AS	200-240	22.8	39-57/63/72	0.2-0.4	158x30x21	CE, ENEC, UKCA, RCM, EL
BK-BAN022-A0400AR	200-240	22.8	39-57/63/72	0.2-0.4	158x30x21	CE, ENEC, UKCA, RCM, EL
BK-BAN040-A0400AS	200-240	40	54-100/114	0.2-0.4	158x30x21	CE, ENEC, UKCA, RCM, EL
BK-BAN040-A0400AR	200-240	40	54-100/114	0.2-0.4	158x30x21	CE, ENEC, UKCA, RCM, EL
BK-BAN060-A0400AS	200-240	60	100-150/170/200	0.2-0.4	195x30x21	CE, ENEC, UKCA, RCM, EL
BK-BAN060-A0400AR	200-240	60	100-150/170/200	0.2-0.4	195x30x21	CE, ENEC, UKCA, RCM, EL
BK-BAN075-A0400AS	200-240	75.2	100-188/200	0.2-0.4	245x30x21	CE, ENEC, UKCA, RCM, EL
BK-BAN075-A0400AR	200-240	75.2	100-188/200	0.2-0.4	245x30x21	CE, ENEC, UKCA, RCM, EL
BK-BAN100-A0600AS	200-240	99	100-165/188/200	0.3-0.6	285x30x21	CE, ENEC, UKCA, RCM, EL
BK-BAN100-A0600AR	200-240	99	100-165/188/200	0.3-0.6	285x30x21	CE, ENEC, UKCA, RCM, EL
BK-BAN100-A0800BS	200-240	100	80-125/140/165/170	0.5-0.8	285x30x21	CE, ENEC, UKCA, RCM, EL
BK-BAN100-A0800BR	200-240	100	80-125/140/165/170	0.5-0.8	285x30x21	CE, ENEC, UKCA, RCM, EL
BK-BAN150-A1000AS	200-240	150.1	54-150/158/166/176/187/200/230/240	0.35-1	355x36x23	CE, ENEC, UKCA, RCM, EL
BK-BAN150-A1000AR	200-240	150.1	54-150/158/166/176/187/200/230/240	0.35-1	355x36x23	CE, ENEC, UKCA, RCM, EL