

**LED driver in corrente costante - Constant current LED drivers**

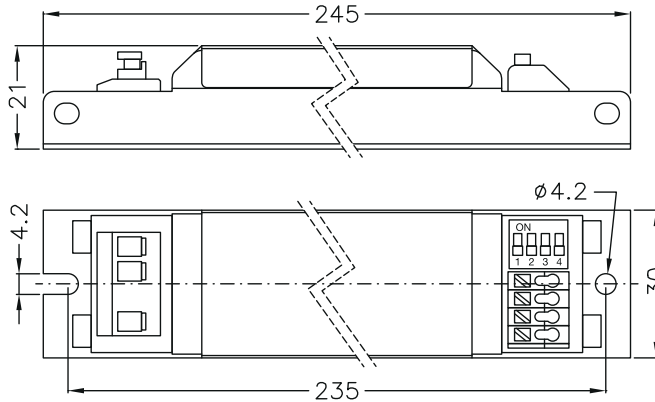
**BK-BAN075-A0400AS**



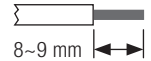
**Dati tecnici / Technical data**

Input voltage VAC/DC	Output power Max W	Output voltage VDC	Output current A	Dimension mm (LxWxH)
200-240	75.2	100-188/200	0.2-0.4	245x30x21

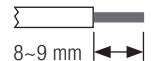
**Disegno tecnico / Technical drawing**



Cavo di ingresso - Input wire  
**0.75~1.5mm<sup>2</sup>**



Cavo di uscita - Output wire  
**0.5~1.0mm<sup>2</sup>**



**Etichetta / Label**

**INPUT**

- ACL/DC+
- ACN/DC-
- NC
- ⊕

wire prep.  
0.75-1.5mm<sup>2</sup>  
8-9mm

**BOKE**

Non-isolated Constant Current LED Driver  
MODEL: BK-BAN075-A0400AS  
INPUT: 200-240V ≈ 0/50/60Hz 0.4A Max. λ: 0.95  
OUTPUT: 100-188V ≈ 400mA 75.2W Max.  
Other ratings see below sheet  
BOKE Drivers Co.,Ltd.  
www.bokedriver.com  
MADE IN CHINA

Switching selection sheet

Input	Output	Switch					
Pn(W)	Po(W)	Io(mA)	Uo(Vdc)	1	2	3	4
42.92	40.0	200	100-200	-	-	-	ON
53.13	50.0	250	100-200	-	-	ON	-
63.49	60.0	300	100-200	-	ON	-	-
73.90	70.0	350	100-200	ON	-	-	-
79.40	75.2	400	100-188	-	-	-	-

Before use, always check dipswitch settings!

0tc:90°C  
ta:60°C

BOKE Drivers Co.,Ltd.  
Address:2nd and 3rd Floor, No.51, Xihuan 5th Road,  
South District,528455 Zhongshan City, Guangdong, CHINA

EL

FLICKER FREE

RGHS

OUTPUT

240VDC Max.

LED+ ○

LED- ○

LED+ ○

LED- ○

wire prep.  
0.5-1.0mm<sup>2</sup>  
8-9mm



## Technical data

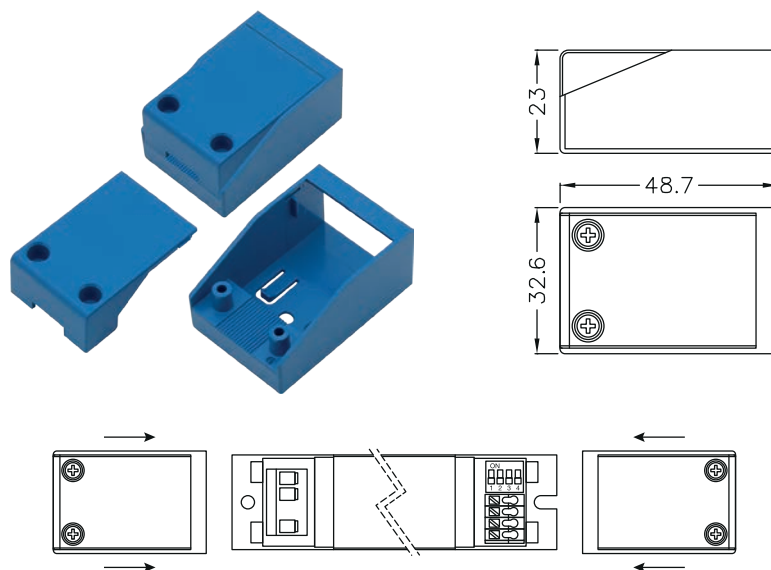
Product model	BK-BAN075-A0400AS
<b>Output parameters</b>	
Regulation method	Constant Current
Rated output current range	0.2-0.4A
Rated output voltage range	100 - 188/200VDC
Rated output power	75.2W Max
Output current adjustment	DIP S.W(5 levels)
Output current ripple LF	±2%
Output current accuracy	±5%
Linear regulation	±3%
Load regulation	±3%
No load output voltage	240VDC
Flicker-free(typical)	Flickering percent(IEEE 1789)=0.745%, Flicker index(IEEE 1789)=0.002, Pst LM = 0.000, SVM = 0.001, (The above parameters are obtained from testing the panel lights)
<b>Input parameters</b>	
Rated input voltage range	200-240VAC 200-240VDC
Input voltage range	180-264VAC 180-264VDC
Input voltage shock	<380 V AC
Input current	<0.4A (Rated input voltage)
Input frequency	0/50/60Hz
Input PF/Input DF	PF>0.95 (230V AC & Full load),DF>0.98 (230V AC & Full load)
Input THD	10% (230V AC & Full load)
Efficiency(typical)	93.5% (230V AC & Full load)
In-rush current	25.5A peak ,302us duration(50 % Ipeak), see the description below for details
Start/Switchover/Turn off	<0.5s(AC start),<0.5s(DC start),<0.3s(AC/DC switchover),<0.5s(Turn off )
Switching cycles	> 50,000 switching cycles
Power consumption	Full load(Pin):75.2W, No load(Pno): N/A, On stand-by(Psb) : N/A, Network stand-by(Pnet) : N/A
<b>Safety</b>	
Withstand voltage	I/P-FG:1750VAC
Mains surge capability	L-N:2.5KV,L-FG/N-FG:2.5KV(Performance criterion:B)
Isolation resistance	I/P-FG:100MΩ/500Vdc/25°/70% RH
<b>Control interface</b>	
DALI dimming port	N/A
pushDIM dimming port	N/A
1-10V 3in1 dimming port	N/A
Auxiliary power supply	N/A
Dimming range	N/A
Dimming drive mode	N/A
<b>Emergency support</b>	
Central emergency system	Supported(100% output in DC input)
Self-contained emergency	Supported
<b>Environment &amp; Life time</b>	
Operating temperature	Ta=-20-60°
Case temperature	Tc=90°
Operating humidity	5-85% RH, not condensed
Storage temp./humidity	-40-80° , 5-85% RH, not condensed
IP grade	IP20
MTBF	500,000H,MIL-HDBK-217F(25°)
Life-time	Nominal life-time up to 100,000 h, see the description below for details
Vibration resistant	10~500Hz,5G 12min./1cycle,period for 72min. each along X,Y,Z axes
Acoustic Noise	<25dB(30cm, Normal operation)
Environmental protection	RoHS
<b>Certifications and standards</b>	
Certified	CE, ENEC, UKCA, RCM, EL
Safety	EN61347-1, EN61347-2-13, EN62384
EMC	EN55015, EN61000-3-2 , EN61000-3-3, EN61000-4-2,3,4,5,6,8,11, EN61547
DALI-2	N/A
EL	Compatible IEC 61347-2- 13 Annex J , compatible with EN 60598-2-22 and EN 50172
RF	N/A

## Nota / Note

Per impostazione predefinita, tutti i parametri sono misurati a 230VAC ingresso, pieno carico e 25° della temperatura ambiente.

By default, all parameter are measured at 230VAC input, full load and 25° of ambient temperature.

Accessori / Accessories



Modelli serie BAN / BAN series models

Model	Input voltage VAC/DC	Output power Max W	Output voltage VDC	Output current A	Dimension mm (LxWxH)	Certifications
BK-BAN022-A0400AS	200-240	22.8	39-57/63/72	0.2-0.4	158x30x21	CE, ENEC, UKCA, RCM, EL
BK-BAN022-A0400AR	200-240	22.8	39-57/63/72	0.2-0.4	158x30x21	CE, ENEC, UKCA, RCM, EL
BK-BAN040-A0400AS	200-240	40	54-100/114	0.2-0.4	158x30x21	CE, ENEC, UKCA, RCM, EL
BK-BAN040-A0400AR	200-240	40	54-100/114	0.2-0.4	158x30x21	CE, ENEC, UKCA, RCM, EL
BK-BAN060-A0400AS	200-240	60	100-150/170/200	0.2-0.4	195x30x21	CE, ENEC, UKCA, RCM, EL
BK-BAN060-A0400AR	200-240	60	100-150/170/200	0.2-0.4	195x30x21	CE, ENEC, UKCA, RCM, EL
BK-BAN075-A0400AS	200-240	75.2	100-188/200	0.2-0.4	245x30x21	CE, ENEC, UKCA, RCM, EL
BK-BAN075-A0400AR	200-240	75.2	100-188/200	0.2-0.4	245x30x21	CE, ENEC, UKCA, RCM, EL
BK-BAN100-A0600AS	200-240	99	100-165/188/200	0.3-0.6	285x30x21	CE, ENEC, UKCA, RCM, EL
BK-BAN100-A0600AR	200-240	99	100-165/188/200	0.3-0.6	285x30x21	CE, ENEC, UKCA, RCM, EL
BK-BAN100-A0800BS	200-240	100	80-125/140/165/170	0.5-0.8	285x30x21	CE, ENEC, UKCA, RCM, EL
BK-BAN100-A0800BR	200-240	100	80-125/140/165/170	0.5-0.8	285x30x21	CE, ENEC, UKCA, RCM, EL
BK-BAN150-A1000AS	200-240	150.1	54-150/158/166/176/187/200/230/240	0.35-1	355x36x23	CE, ENEC, UKCA, RCM, EL
BK-BAN150-A1000AR	200-240	150.1	54-150/158/166/176/187/200/230/240	0.35-1	355x36x23	CE, ENEC, UKCA, RCM, EL