

LED driver in corrente costante - Constant current LED drivers

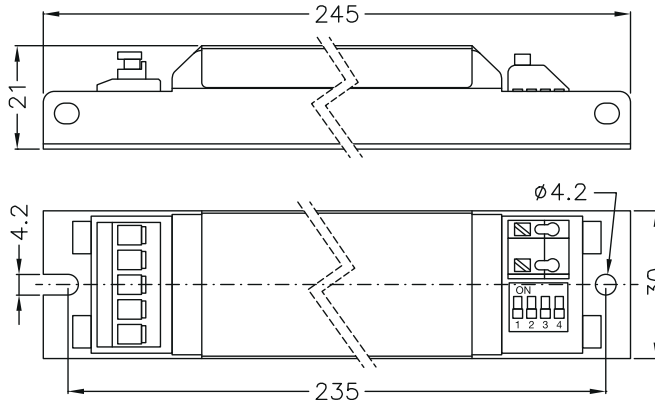
BK-DEN075-A0450Ad



Dati tecnici / Technical data

Input voltage VAC/DC	Output power Max W	Output voltage VDC	Output current A	Dimension mm (LxWxH)
200-240	76.5	54-170/180/190/200	0.1-0.45	245x30x21

Disegno tecnico / Technical drawing



Cavo di ingresso - Input wire
0.75~1.5mm²

8~9 mm

Cavo di uscita - Output wire
0.5~1.0mm²

8~9 mm

Etichetta / Label

INPUT

- ACL/DC+
- ACN/DC-
- DA
- DA
- ⊕

wire prep. 0.75-1.5mm²
8-9mm

BOKE

Non-isolated Constant Current LED Driver
MODEL: BK-DEN075-A0450Ad
INPUT: 200-240V ~0/50/60Hz 0.41A Max. λ:0.95
OUTPUT: 54-170V 450mA 76.5W Max.

Other ratings see below sheet
For LED modules use only
BOKE Drivers Co.,Ltd.
www.bokedriver.com
MADE IN CHINA

Pin(W) typ	Switching selection sheet			
	Output rated(mA)	Output VDC(V)	Switch 1	Switch 2
22.35	20.00	100	54-200	ON ON ON ON
26.40	24.00	120	54-200	- ON ON ON
29.54	27.00	135	54-200	ON - ON ON
32.57	30.00	150	54-200	- - ON ON
37.67	35.00	175	54-200	ON ON - ON
43.06	40.00	200	54-200	- ON - ON
48.44	45.00	225	54-200	ON - - ON
53.42	50.00	250	54-200	- - - ON
58.70	55.00	275	54-200	ON ON - -
64.03	60.00	300	54-200	- ON ON -

OUTPUT

300VDC Max.

- LED+
- LED-

wire prep. 0.5-1.0mm²
8-9mm

Address: 2nd and 3rd Floor, No.51,
Xihuan 5th Road, South District,
528455 Zhongshan City, Guangdong, CHINA

Before use, always check dipswitch settings!



Technical data

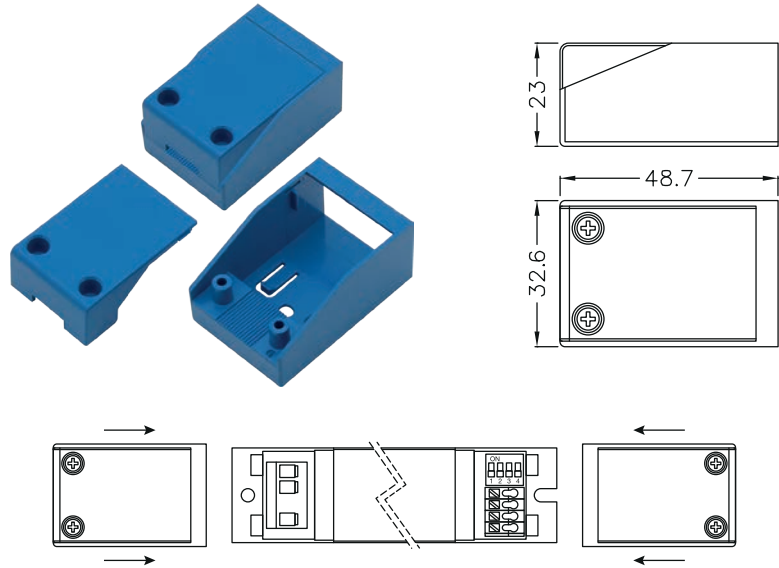
Product model	BK-DEN075-A0450Ad
Output parameters	
Regulation method	Constant Current
Rated output current range	0.1-0.45A
Rated output voltage range	54-170/180/190/200VDC
Rated output power	76.5W Max
Output current adjustment	DIP S.W(16 levels)
Output current ripple LF	±3%
Output current accuracy	±5%
Linear regulation	±3%
Load regulation	±3%
No load output voltage	300VDC
Flicker-free(typical)	Flickering percent(IEE 1789)=0.455%, Flicker index(IEE 1789)=0.001, Pst LM = 0.100, SVM = 0.002, (The above parameters are obtained from testing the panel lights)
Input parameters	
Rated input voltage range	200-240VAC 200-240VDC
Input voltage range	180-264VAC 180-264VDC
Input voltage shock	<380 V AC
Input current	<0.41A (Rated input voltage)
Input frequency	0/50/60Hz
Input PF/Input DF	PF>0.95 (230V AC & Full load),DF>0.98 (230V AC & Full load)
Input THD	9% (230V AC & Full load)
Efficiency(typical)	93% (230V AC & Full load)
In-rush current	21.8A peak ,264us duration(50 % Ipeak), see the description below for details
Start/Switchover/Turn off	<0.7s(AC start),<0.7s(DC start),<0.3s(AC/DC switchover),<0.5s(Turn off)
Switching cycles	> 50,000 switching cycles
Power consumption	Full load(Pin):81.21W, No load(Pno): N/A, On stand-by(Psb) : <0.5W, Network stand-by(Pnet) : N/A
Safety	
Withstand voltage	I/P-FG:1750VAC, I/P-DA:1500VAC
Mains surge capability	L-N:2KV,L-FG/N-FG:2KV(Performance criterion:B)
Isolation resistance	I/P-FG:100MΩ/500Vdc/25°/70% RH
Control interface	
DALI dimming port	Voltage range: 9.5-22.5V, typical 16V, interface current consumption: 1.8mA
pushDIM dimming port	Voltage range: 180-264V 47/63Hz
1-10V 3in1 dimming port	N/A
Auxiliary power supply	N/A
Dimming range	3%-100%
Dimming drive mode	AM(amplitude modulation)
Emergency support	
Central emergency system	Supported(dimming normal in DC input)
Self-contained emergency	Supported
Environment & Life time	
Operating temperature	Ta=-20-60°
Case temperature	Tc=90°
Operating humidity	5-85% RH, not condensed
Storage temp./humidity	-40-80° , 5-85% RH, not condensed
IP grade	IP20
MTBF	500,000H,MIL-HDBK-217F(25°)
Life-time	Nominal life-time up to 100,000 h, see the description below for details
Vibration resistant	10~500Hz,5G 12min./1cycle,period for 72min. each along X,Y,Z axes
Acoustic Noise	<25dB(30cm, Normal operation)
Environmental protection	RoHS
Certifications and standards	
Certified	CE, ENEC, UKCA, RCM, EL
Safety	EN61347-1, EN61347-2-13, EN62384
EMC	EN55015, EN61000-3-2 , EN61000-3-3, EN61000-4-2,3,4,5,6,8,11, EN61547
DALI-2	IEC 62386-101(DALI-2), IEC 62386-102(DALI-2), IEC 62386-207(DALI-2)
EL	Compatible IEC 61347-2- 13 Annex J , compatible with EN 60598-2-22 and EN 50172
RF	N/A

Nota / Note

Per impostazione predefinita, tutti i parametri sono misurati a 230VAC ingresso, pieno carico e 25° della temperatura ambiente.

By default, all parameter are measured at 230VAC input, full load and 25° of ambient temperature.

Accessori / Accessories



Modelli serie DEN / DEN series models

Model	Input voltage VAC/DC	Output power Max W	Output voltage VDC	Output current A	Dimension mm (LxWxH)	Certifications
BK-DEN075-A0450Ad	200-240	76.5	54-170/180/190/200	0.1-0.45	245x30x21	CE, ENEC, UKCA, RCM, EL, DALI-2
BK-DEN100-A0800Ad	200-240	100W	54-125/133/142/153/166/181/200	0.25-0.8	285x30x21	CE, ENEC, UKCA, RCM, EL, DALI-2