

Alimentatore LED dimmerabile - Dimmable LED power supply

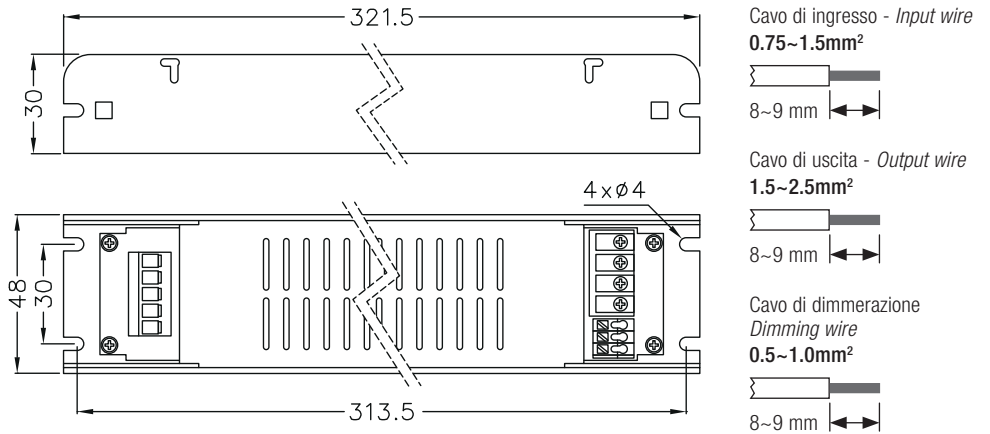
BK-DGV200-48V0D



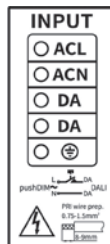
Dati tecnici / Technical data

Input voltage VAC/DC	Output power Max W	Output voltage VDC	Output current A	Dimension mm (LxWxH)
200-240	199.2	48	4.15	321.5x48x30

Disegno tecnico / Technical drawing

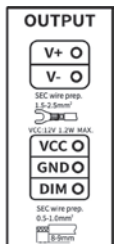


Etichetta / Label



BOKE Dimmable Constant Voltage LED Driver
MODEL: BK-DGV200-48V0D
 INPUT: 200-240V ~ 1.1A Max. 50/60Hz λ: 0.95
 OUTPUT: 48V = 4.15A 199.2W Max.
 For LED modules use only
 www.bokedriver.com
 BOKE Drivers Co., Ltd.
 Address: 2nd and 3rd Floor, No.51, Xihuan 5th Road,
 South District, 528455 Zhongshan City, Guangdong, CHINA
 MADE IN CHINA

UK CA CE SELV RoHS



Technical data

Product model	BK-DGV200-48V0D
Output parameters	
Regulation method	Constant voltage
Rated output current	4.15A
Rated output voltage	48V
Rated output power	199.2W Max
Output voltage adjustment	Fixed output
Output current ripple LF	±2%
Voltage accuracy	±4%
Linear regulation	±4%
Load regulation	±4%
No load output voltage	N/A
Flicker-free	Pst LM=0.051, SVM=0.005,(The above parameters are obtained by testing with constant voltage light strip)
Input parameters	
Rated input voltage range	200-240VAC
Input voltage range	180-264VAC
Input voltage shock	<300 V AC
Input current	<1.1A (AC 200V)
Input frequency	50/60Hz
Input PF/Input DF	PF>0.95 (230V AC & Full load),DF>0.95 (230V AC & Full load)
Input THD	10% (230V AC & Full load)
Efficiency(typical)	92% (230V AC & Full load)
In-rush current	47A peak ,590us duration(50 % Ipeak), see the description below for details
Start/Switchover/Turn off	<0.7s(AC start),<0.7s(DC start),<0.3s(AC/DC switchover),<0.5s(Turn off)
Switching cycles	> 50,000 switching cycles
Power consumption	Full load(Pin):216.5W, No load(Pno): N/A, On stand-by(Psb) : N/A, Network stand-by(Pnet) : N/A
Safety	
Withstand voltage	I/P-O/P(LED):3750VAC,I/P-FG:1750VAC,O/P-FG:500VAC,I/P-DALI: 1500VAC,O/P-DALI: 1500VAC
Mains surge capability	L-N:2KV,L-FG/N-FG:2KV(Performance criterion:B)
Leakage current	0.41mA (230V AC & Full load)
Isolation resistance	I/P-O/P:100MΩ/500Vdc/25°C/70% RH
Control interface	
DALI dimming port	Voltage range: DC9.5-22.5V, typical 16V, interface current consumption: 1.8mA
pushDIM dimming port	Voltage range: AC180-264V 50/60Hz
1-10V 3in1 dimming port	Voltage range: DC0-15V, maximum output current ≤0.75mA
Auxiliary power supply	DC12V ±5% 100mA
Dimming range	1-100%
Dimming drive mode	H-PWM
Emergency support	
Central emergency system	Not supported
Self-contained emergency	Supported
Environment & Life time	
Operating temperature	Ta=-20-60°C
Case temperature	Tc=90°C
Operating humidity	5-85% RH, not condensing
Storage temp./humidity	-40-80°C, 5-85% RH, not condensing
IP grade	IP20
MTBF	500,000H,MIL-HDBK-217F(25°C
Life-time	Nominal life-time up to 100,000 h, see the description below for details
Vibration resistant	10~500Hz,5G 12min./1cycle,period for 72min. each along X,Y,Z axes
Acoustic Noise	<25dB(30cm, Normal operation)
Environmental protection	RoHS
Certifications and standards	
Certification	CE, ENEC, UKCA, RCM, DALI-2, CCC
Safety	EN61347-1, EN61347-2-13, EN62384
EMC	EN55015, EN61000-3-2 , EN61000-3-3, EN61000-4-2,3,4,5,6,8,11, EN61547
DALI-2	IEC 62386-101(DALI-2), IEC 62386-102(DALI-2), IEC 62386-207(DALI-2)
EL	N/A
RF	N/A

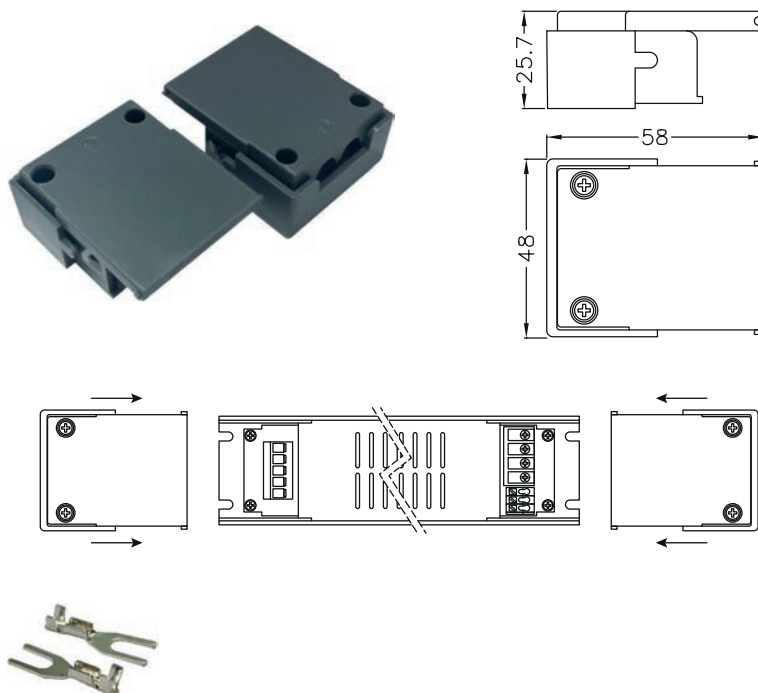
Nota / Note

Per impostazione predefinita, tutti i parametri sono misurati a 230VAC ingresso, pieno carico e 25° della temperatura ambiente.

By default, all parameter are measured at 230VAC input, full load and 25° of ambient temperature.

Alimentatore LED dimmerabile - Dimmable LED power supply

Accessori / Accessories



Modelli serie DGV / DGV series models

Model	Input voltage VAC/DC	Output power Max W	Output voltage VDC	Output current A	Dimension mm (LxWxH)	Certifications
BK-DGV036-24V0D	200-240	36W	24	1.5	245x30x21	CE, ENEC, UKCA, RCM, DALI-2, CCC
BK-DGV036-24V0DP	200-240	36W	24	1.5	245x30x21	CE, ENEC, UKCA, RCM, DALI-2, CCC
BK-DGV036-48V0D	200-240	36W	48	0.75	245x30x21	CE, ENEC, UKCA, RCM, DALI-2, CCC
BK-DGV036-48V0DP	200-240	36W	48	0.75	245x30x21	CE, ENEC, UKCA, RCM, DALI-2, CCC
BK-DGV060-24V0D	200-240	60W	24	2.5	285x30x21	CE, ENEC, UKCA, RCM, DALI-2, CCC
BK-DGV060-24V0DP	200-240	60W	24	2.5	285x30x21	CE, ENEC, UKCA, RCM, DALI-2, CCC
BK-DGV060-48V0D	200-240	57.6W	48	1.2	285x30x21	CE, ENEC, UKCA, RCM, DALI-2, CCC
BK-DGV060-48V0DP	200-240	57.6W	48	1.2	285x30x21	CE, ENEC, UKCA, RCM, DALI-2, CCC
BK-DGV100-24V0D	200-240	100W	24	4.2	355x30x21	CE, ENEC, UKCA, RCM, DALI-2, CCC
BK-DGV100-24V0DP	200-240	100W	24	4.2	355x30x21	CE, ENEC, UKCA, RCM, DALI-2, CCC
BK-DGV100-48V0D	200-240	100W	48	2.09	355x30x21	CE, ENEC, UKCA, RCM, DALI-2, CCC
BK-DGV100-48V0DP	200-240	100W	48	2.09	355x30x21	CE, ENEC, UKCA, RCM, DALI-2, CCC
BK-DGV150-24V0D	200-240	150W	24	6.25	355x36x23	CE, ENEC, UKCA, RCM, DALI-2, CCC
BK-DGV150-24V0DP	200-240	150W	24	6.25	355x36x23	CE, ENEC, UKCA, RCM, DALI-2, CCC
BK-DGV150-48V0D	200-240	150W	48	3.12	355x36x23	CE, ENEC, UKCA, RCM, DALI-2, CCC
BK-DGV150-48V0DP	200-240	150W	48	3.12	355x36x23	CE, ENEC, UKCA, RCM, DALI-2, CCC
BK-DGV200-24V0D	200-240	199.2W	24	8.3	321.5x48x30	CE, ENEC, UKCA, RCM, DALI-2, CCC
BK-DGV200-24V0DP	200-240	199.2W	24	8.3	321.5x48x30	CE, ENEC, UKCA, RCM, DALI-2, CCC
BK-DGV200-48V0D	200-240	199.2W	48	4.15	321.5x48x30	CE, ENEC, UKCA, RCM, DALI-2, CCC
BK-DGV200-48V0DP	200-240	199.2W	48	4.15	321.5x48x30	CE, ENEC, UKCA, RCM, DALI-2, CCC