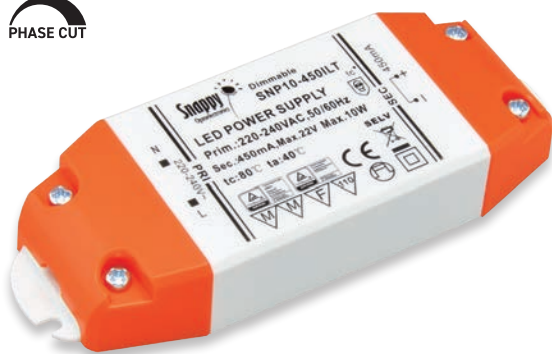


## DRD0450010.240

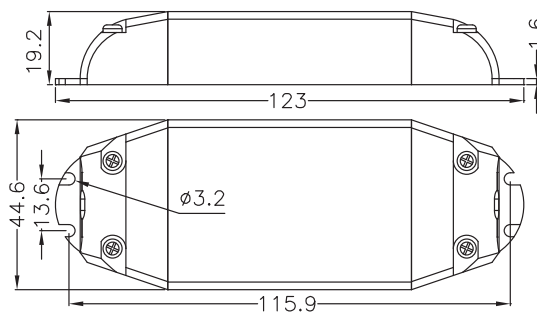


PHASE CUT

220  
~CC  
out-  
+

Class II

1



Input Vac	CC	Output Vdc	W
200~240V (50/60Hz)	450mA	13.4~22V	6~10W

## Fissaggio cavi / Cable fixing

Morsetti a vite / Screw fixing

## Approvazioni / Approvals

SELV



SAA

Dimmable	TRIAC/IGBT
Dimming range	15~95%
Power Factor (PF)	≥0.85
t <sub>c</sub>	+80°C
t <sub>a</sub>	+40°C
Dimensions	123 x 44.6 x 19.2 mm