

DRM1050040

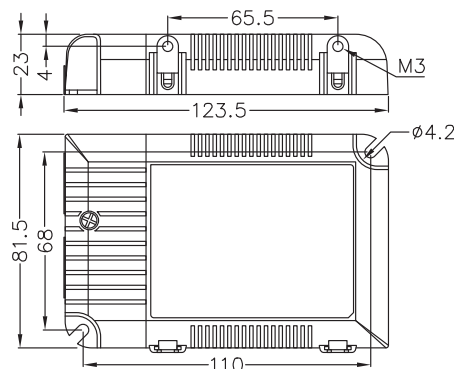
Driver LED dimmerabile multipower a corrente costante
Constant current dimmable multipower LED driver



Input (Vac)	180~295V (47/63Hz)
(CC)	300~1050mA
Output (Vdc)	40~100V
(W)	35~42W
Dimming range	6~100%
Power Factor (PF)	≥0.975
t _c	+90°C
t _a	+60°C
Dimensioni / Dimensions	123.5 x 81.5 x 23 mm

Tolleranze / Tolerances

Valori elettrici / Electrical values (@25°): ±5%



Fissaggio cavi / Cable fixing

Morsetti a vite / Screw fixing

Dimmerabile / Dimmable

DRM1050040.220: DALI + pushDIM

DRM1050040.221: 0~10V - PWM

Funzione master/slave - Master/slave function

1 Master - 9 Slave

Uscita regolabile tramite dip-switch

Output setting adjustable by dip-switch

Approvazioni / Approvals

