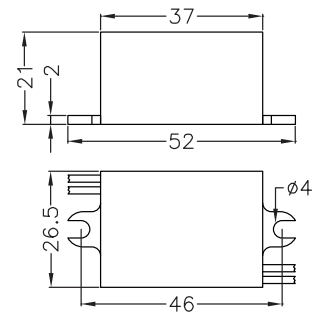
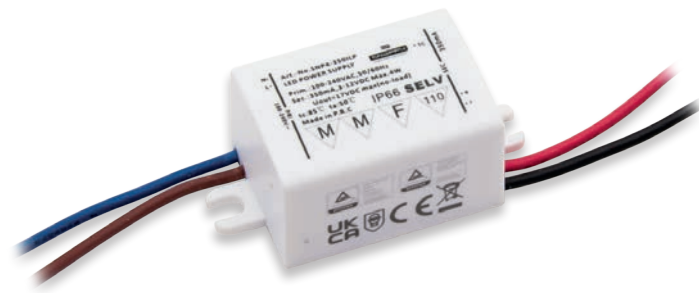


DRN0350004.249

Driver LED a corrente costante
Constant current LED driver



Input (Vac)	100~240V (50/60Hz)
(CC)	350mA
Output (Vdc)	3~12V
(W)	4W
t _c	+85°C
t _a	+50°C
Dimensioni / Dimensions	52 x 26.5 x 21 mm

Tolleranze / Tolerances

Valori elettrici / Electrical values (@25°): ±5%

Dimensionali / Dimensional: ±0.3/0.5mm

Cavi / Cables

PVC-AWG18, cm 18

Approvazioni / Approvals

SELV