

DRN0350008.240

Driver LED a corrente costante
Constant current LED driver

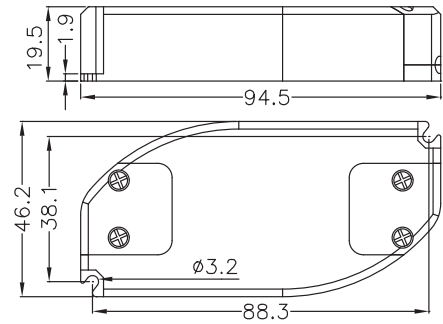


Input (Vac)	200~240V (50/60Hz)
(CC)	350mA
Output (Vdc)	12~24V
(W)	4.2~8.4W
t_c	+75°C
t_a	+45°C
Dimensioni / Dimensions	94.5 x 46.2 x 19.5 mm

Tolleranze / Tolerances

Valori elettrici / Electrical values (@25°): ±5%

Dimensionali / Dimensional: ±0.3/0.5mm



Fissaggio cavi / Cable fixing

Morsetti a vite / Screw fixing

Approvazioni / Approvals

