

DRN0700003.050

Driver LED a corrente costante
Constant current LED driver

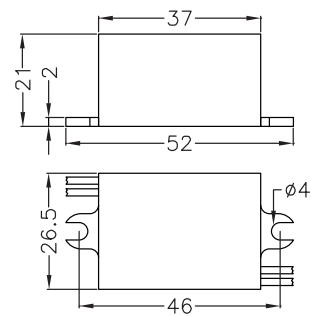


Input (Vac)	100~240V (50Hz)
(CC)	700mA
Output (Vdc)	0.5~4V
(W)	0.3~2.8W
t _c	+75°C
t _a	+50°C
Dimensioni / Dimensions	52 x 26.5 x 21 mm

Tolleranze / Tolerances

Valori elettrici / Electrical values (@25°): ±5%

Dimensionali / Dimensional: ±0.3/0.5mm



Cavi / Cables

PVC-AWG22, cm 20

Approvazioni / Approvals

