

DRN0700006.171

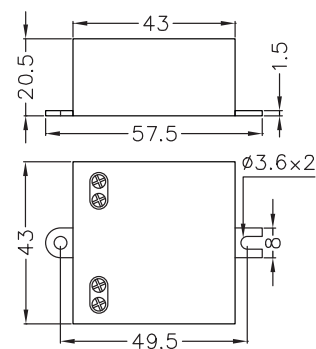
Driver LED a corrente costante
Constant current LED driver



Input (Vac)	100~240V (50/60Hz)
(CC)	7500mA
Output (Vdc)	4~9V
(W)	2.8~6.3W
t _c	+85°C
t _a	+50°C
Dimensioni / Dimensions	57.5 x 43 x 20.5 mm

Tolleranze / Tolerances

Valori elettrici / Electrical values (@25°): ±5%



Fissaggio cavi / Cable fixing

Morsetti a vite / Screw fixing

Approvazioni / Approvals

