

DRN0700015.240

Driver LED a corrente costante
Constant current LED driver

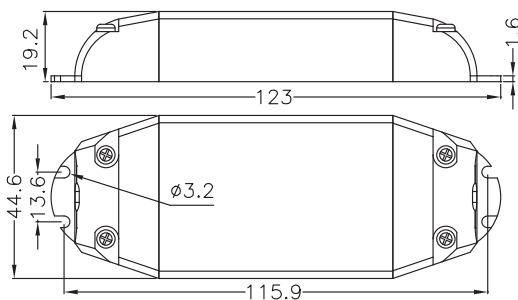


Input (Vac)	200~240V (50Hz)
(CC)	700mA
Output (Vdc)	15~21V
(W)	10.5~15W
t _c	+80°C
t _a	+45°C
Dimensioni / Dimensions	123 x 44.6 x 19.2 mm

Tolleranze / Tolerances

Valori elettrici / Electrical values (@25°): ±5%

Dimensionali / Dimensional: ±0.3/0.5mm



Fissaggio cavi / Cable fixing

Morsetti a vite / Screw fixing

Approvazioni / Approvals

